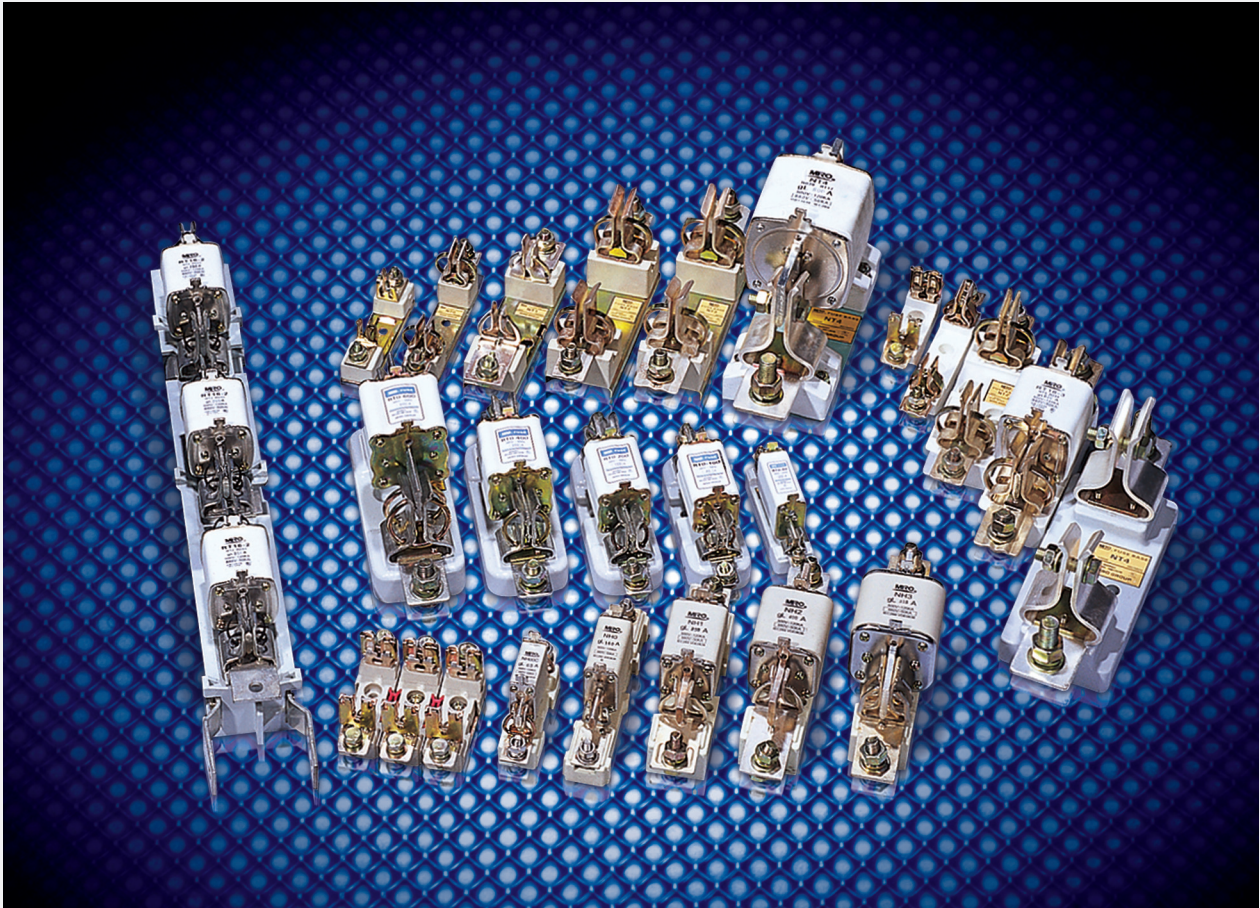


Fuse Bases For Square Pipe Fuses With Knife Contacts



Low-Voltage Fuses
Fuse Bases



► Applications

Supporters for NH000-NH4 fuses of all kinds (gG, aM, aR) in electric lines (type gG), capable of working under the heat caused by rated current and prospective short-circuit impacting current up to 120KA.

Rated insulate voltage up to 660V; Working frequency 50Hz AC; Rated current 1000A. Compliant with GB13539 and IEC269.

► Design Features

The bases are made up of high-density ceramic, heat-resistant resin board and wedge-shaped static contacts in a open structure. The product is featured with good heat sinking, high mechanic density, reliable connection and simple operation. It is available for all NH000-NH4 fuses.

► Basic Data

The models, rated insulate voltage, conventional free air thermal current, and dimensions are shown in Figures 11.1~11.19 and Table 11 .

Table 11

| Cat. No. | Models | Fuse link Size | Rated insulation voltage(V) | Conventional free air thermal current(A) | Dimensions (mm) Fig. | Weight (g) |
|----------|--------|----------------|-----------------------------|--|----------------------|------------|
| 1101 | NT00 | NH000 NH00 | 660 | 160 | See figure 11.1 | 193 |

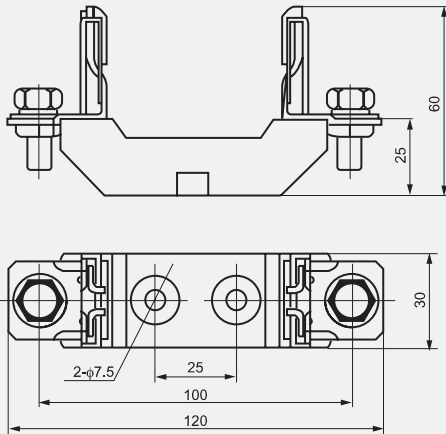


Figure 11.1

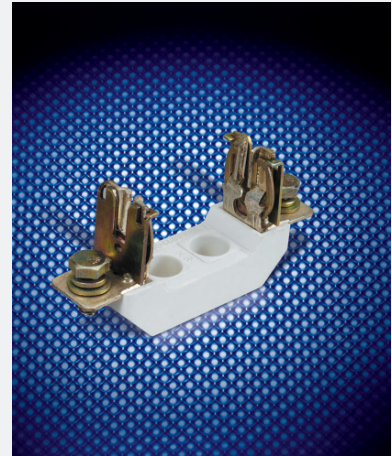


Table 11 (cont.)

| Cat. No. | Models | Fuse link Size | Rated insulation voltage(V) | Conventional free air thermal current(A) | Dimensions (mm) Fig. | Weight (g) |
|----------|--------|----------------|-----------------------------|--|----------------------|------------|
| 1102 | NT0 | NH0 | 660 | 160 | See figure 11.2 | 295 |

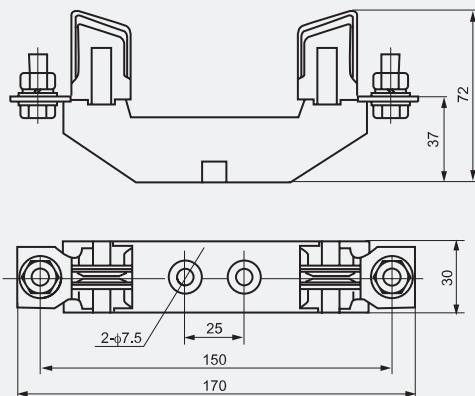


Figure 11.2



Table 11 (cont.)

| Cat. No. | Models | Fuse link Size | Rated insulation voltage(V) | Conventional free air thermal current(A) | Dimensions (mm) | | | | | | | | | | Weight (g) |
|----------|--------|----------------|-----------------------------|--|-----------------|----|-----|-----|----|----|----|-----|----------|-----|------------|
| | | | | | Fig. | A1 | A2 | A3 | B1 | B2 | H1 | H2 | ϕd | | |
| 1103 | NT1 | NH1 | 660 | 250 | 11.3 | 25 | 175 | 200 | 30 | 58 | 38 | 84 | 10.5 | 550 | |
| 1104 | NT2 | NH2 | 660 | 400 | 11.3 | 25 | 200 | 225 | 30 | 60 | 38 | 100 | 10.5 | 770 | |
| 1105 | NT3 | NH3 | 660 | 630 | 11.3 | 25 | 210 | 250 | 30 | 60 | 40 | 105 | 10.5 | 965 | |

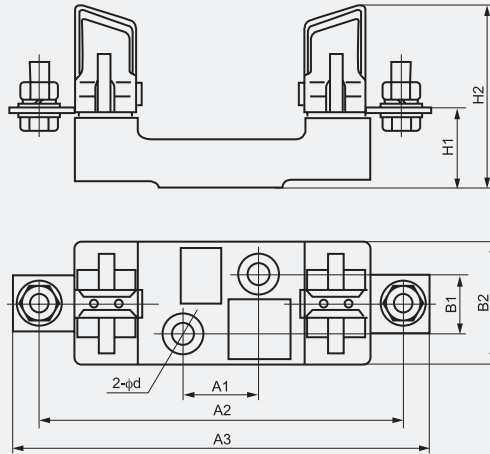


Figure 11.3



Low-Voltage Fuses
Fuse Bases



Table 11 (cont.)

| Cat. No. | Models | Fuse link Size | Rated insulation voltage(V) | Conventional free air thermal current(A) | Dimensions (mm) | Weight (g) |
|----------|--------|----------------|-----------------------------|--|-----------------|------------|
| | | | | | Fig. | |
| 1106 | NT4 | NH4 | 660 | 1000 | See figure 11.4 | 3400 |

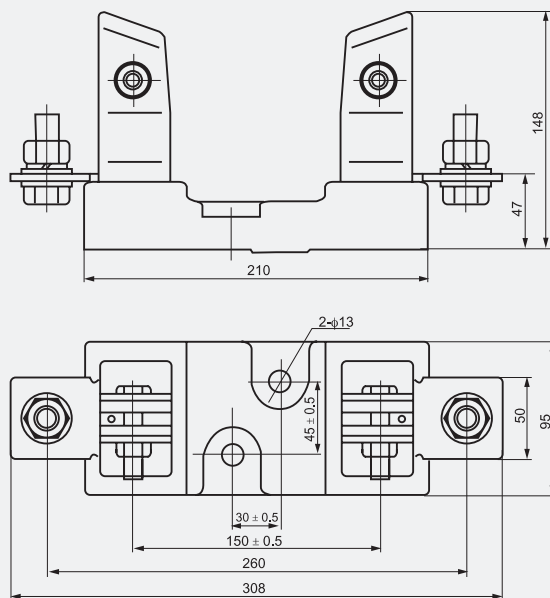


Figure 11.4



Table 11 (cont.)

| Cat. No. | Models | Fuse link Size | Rated insulation voltage(V) | Conventional free air thermal current(A) | Dimensions (mm) Fig. | Weight (g) |
|----------|--------|----------------|-----------------------------|--|----------------------|------------|
| 1107 | NH00 | 000 00 | 660 | 160 | See figure 11.5 | 170 |

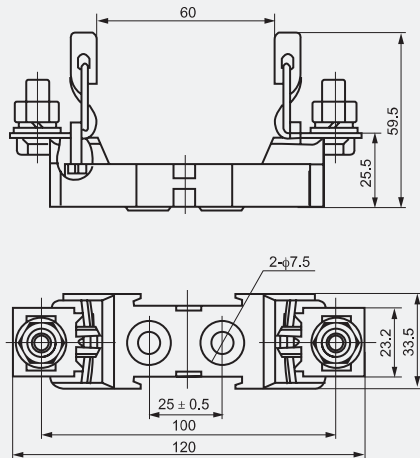


Figure 11.5



Table 11 (cont.)

| Cat. No. | Models | Fuse link Size | Rated insulation voltage(V) | Conventional free air thermal current(A) | Dimensions (mm) Fig. | Weight (g) |
|----------|---------|----------------|-----------------------------|--|----------------------|------------|
| 1108 | NH00-3J | 000 00 | 660 | 160 | See figure 11.6 | 516 |

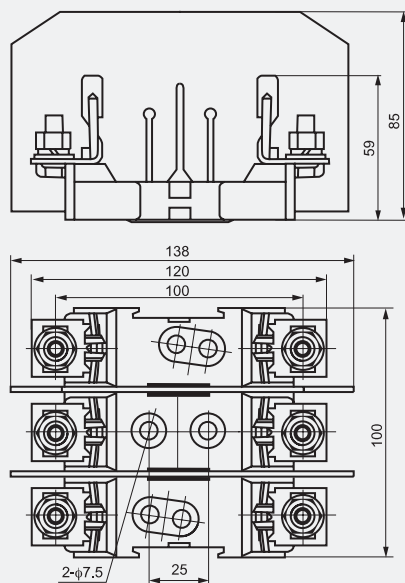


Figure 11.6

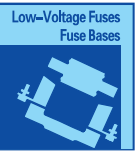
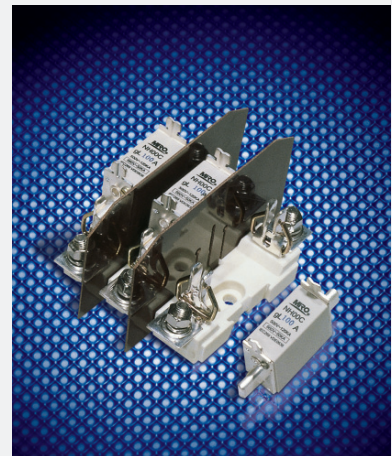


Table 11 (cont.)

| Cat. No. | Models | Fuse link Size | Rated insulation voltage(V) | Conventional free air thermal current(A) | Dimensions (mm) Fig. | Weight (g) |
|----------|--------|----------------|-----------------------------|--|----------------------|------------|
| 1109 | NH0 | 0 | 660 | 160 | See figure 11.7 | 294 |

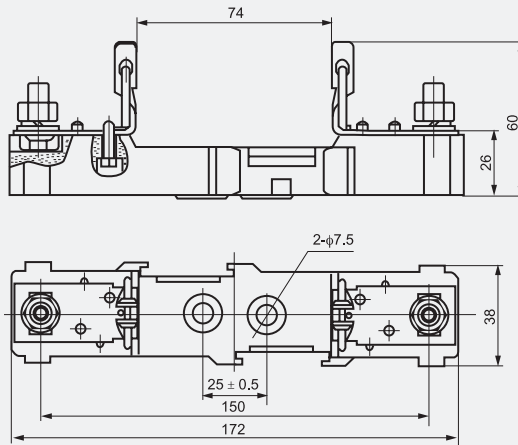


Figure 11.7



Low-Voltage Fuses
Fuse Bases



Table 11 (cont.)

| Cat. No. | Models | Fuse link Size | Rated insulation voltage(V) | Conventional free air thermal current(A) | Dimensions (mm) Fig. | Weight (g) |
|----------|--------|----------------|-----------------------------|--|----------------------|------------|
| 1110 | NH1 | 1 | 660 | 250 | See figure 11.8 | 502 |

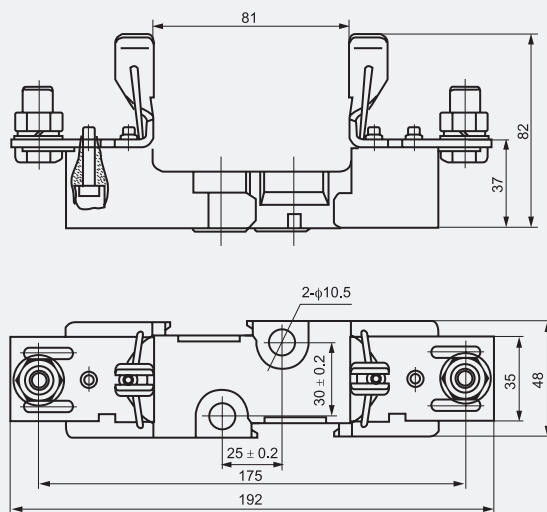


Figure 11.8



Table 11 (cont.)

| Cat. No. | Models | Fuse link Size | Rated insulation voltage(V) | Conventional free air thermal current(A) | Dimensions (mm) Fig. | Weight (g) |
|----------|--------|----------------|-----------------------------|--|----------------------|------------|
| 1111 | NH2 | 2 | 660 | 400 | See figure 11.9 | 526 |

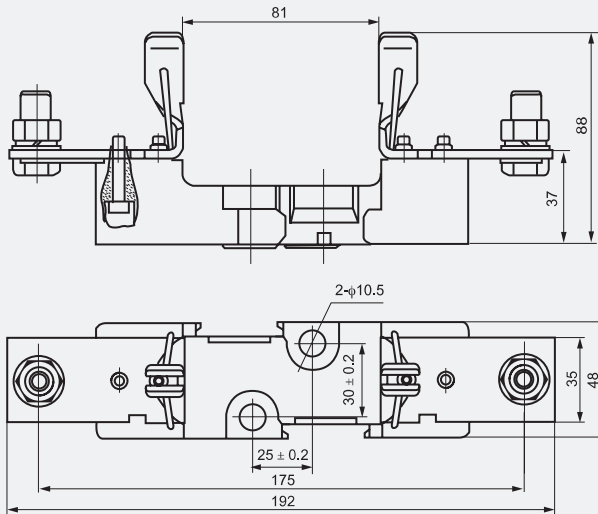


Figure 11.9



Table 11 (cont.)

| Cat. No. | Models | Fuse link Size | Rated insulation voltage(V) | Conventional free air thermal current(A) | Dimensions (mm) Fig. | Weight (g) |
|----------|--------|----------------|-----------------------------|--|----------------------|------------|
| 1112 | NH3 | 3 | 660 | 630 | See figure 11.10 | 762 |

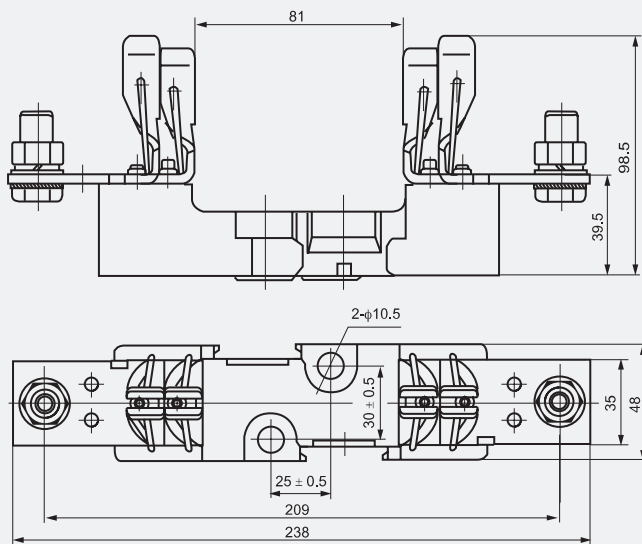


Figure 11.10



Table 11 (cont.)

| Cat. No. | Models | Fuse link Size | Rated insulation voltage(V) | Conventional free air thermal current(A) | Dimensions (mm) Fig. | Weight (g) |
|----------|--------|----------------|-----------------------------|--|----------------------|------------|
| 1113 | NH00S1 | 000 00 | 660 | 160 | See figure 11.11 | 240 |

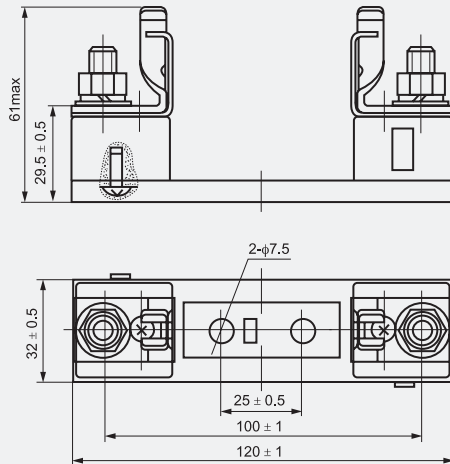
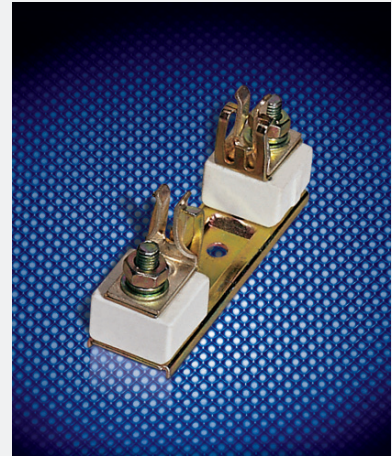


Figure 11.11 (Single connection bolt)



Low-Vltage Fuses
 Fuse Bases



Table 11 (cont.)

| Cat. No. | Models | Fuse link Size | Rated insulation voltage(V) | Conventional free air thermal current(A) | Dimensions (mm) Fig. | Weight (g) |
|----------|--------|----------------|-----------------------------|--|----------------------|------------|
| 1114 | NH00S2 | 000 00 | 660 | 160 | See figure 11.12 | 296 |

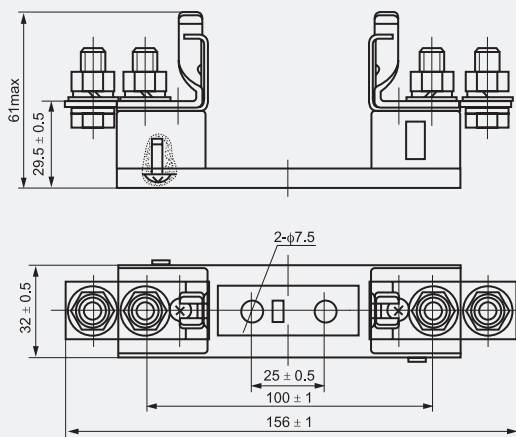


Figure 11.12 (Double connection bolt)



Table 11 (cont.)

| Cat. No. | Models | Fuse link Size | Rated insulation voltage(V) | Conventional free air thermal current(A) | Dimensions (mm) | Weight (g) |
|----------|--------|----------------|-----------------------------|--|------------------|------------|
| | | | | | Fig. | |
| 1115 | NT0S | 0 | 660 | 160 | See figure 11.13 | 322 |

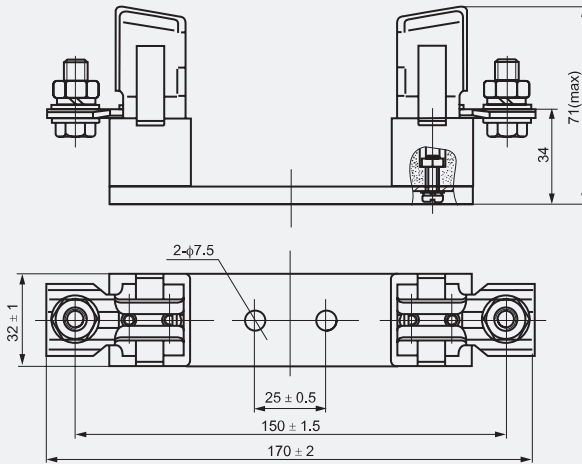


Figure 11.13

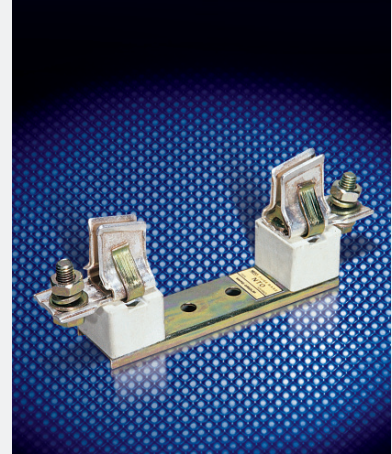


Table 11 (cont.)

| Cat. No. | Models | Fuse link Size | Rated insulation voltage(V) | Conventional free air thermal current(A) | Dimensions (mm) | Weight (g) | | | | | |
|----------|--------|----------------|-----------------------------|--|-----------------|------------|-----|----|----|-----|------|
| | | | | | Fig. | | A1 | A2 | B1 | H1 | H2 |
| 1116 | NT1S | 1 | 660 | 250 | 11.14 | 175 | 200 | 50 | 38 | 82 | 604 |
| 1117 | NT2S | 2 | 660 | 400 | 11.14 | 200 | 230 | 64 | 54 | 104 | 1006 |
| 1118 | NT3S | 3 | 660 | 630 | 11.14 | 210 | 250 | 64 | 54 | 120 | 1200 |

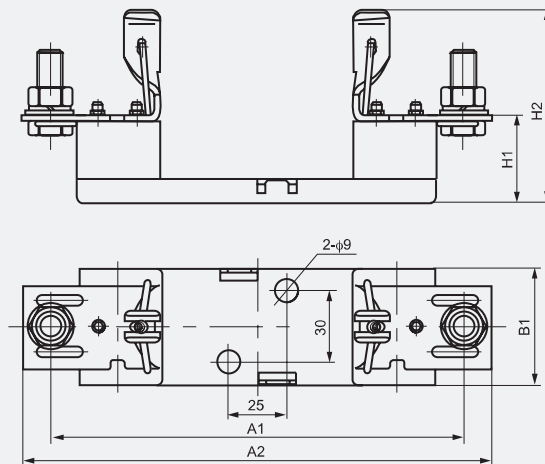


Figure 11.14

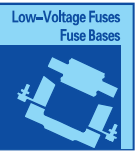
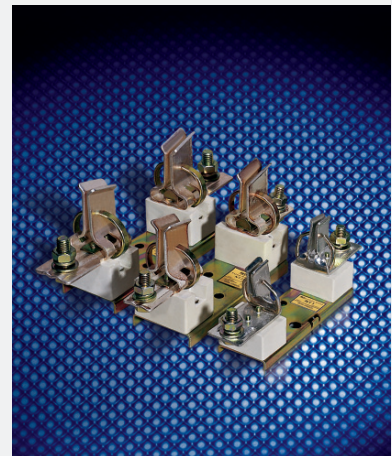


Table 11 (cont.)

| Cat. No. | Models | Fuse link Size | Rated insulation voltage(V) | Conventional free air thermal current(A) | Dimensions (mm) Fig. | Weight (g) |
|----------|--------|----------------|-----------------------------|--|----------------------|------------|
| 1119 | NT4S | 4 | 660 | 1000 | See figure 11.15 | 3520 |

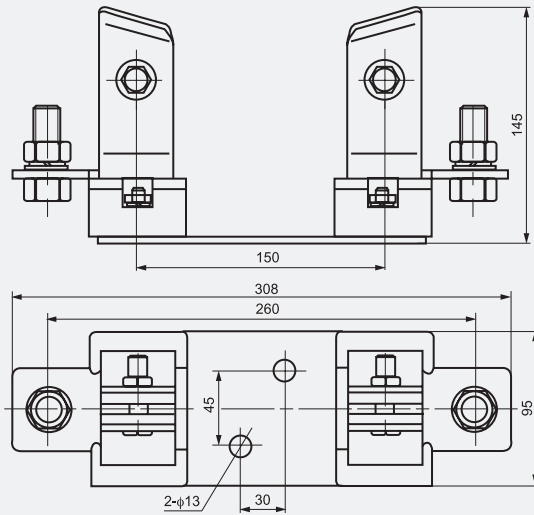


Figure 11.15



Low-Vltage Fuses Fuse Bases



Table 11 (cont.)

| Cat. No. | Models | Fuse link Size | Rated insulation voltage(V) | Conventional free air thermal current(A) | Dimensions (mm) Fig. | Weight (g) |
|----------|--------|----------------|-----------------------------|--|----------------------|------------|
| 1120 | NT2-3J | 2 | 660 | 400 | See figure 11.16 | 3600 |

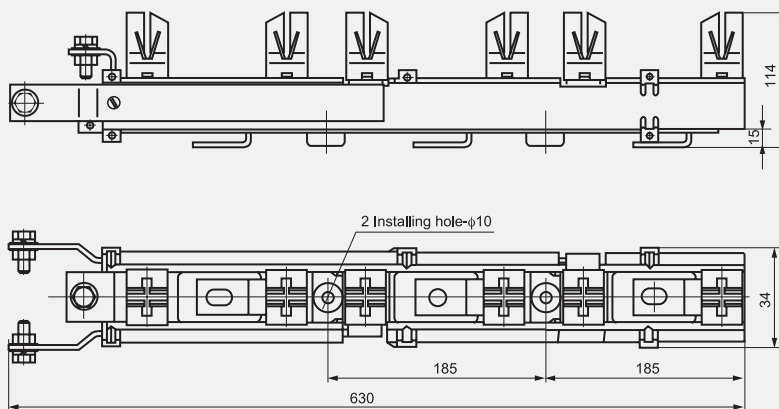


Figure 11.16

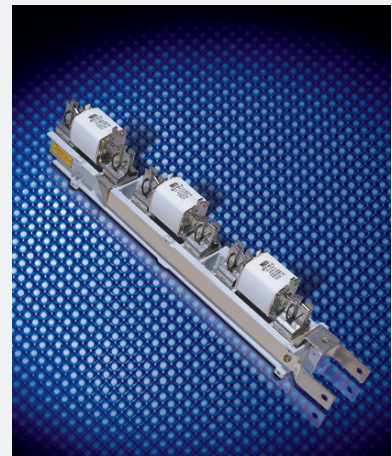


Table 11 (cont.)

| Cat. No. | Models | Fuse link Size | Rated insulation voltage(V) | Conventional free air thermal current(A) | Dimensions | Weight (g) |
|----------|--------|----------------|-----------------------------|--|------------------|------------|
| | | | | | (mm) Fig. | |
| 1121 | RTO-50 | RTO-50 | 380 | 50 | See figure 11.17 | 184 |

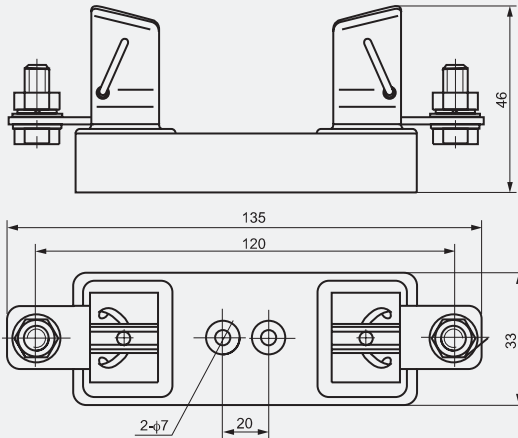


Figure 11.17



Table 11 (cont.)

| Cat. No. | Models | Fuse link Size | Rated insulation voltage(V) | Conventional free air thermal current(A) | Dimensions | Weight (g) | | | | |
|----------|---------|----------------|-----------------------------|--|--------------|------------|-----|----|----|------|
| | | | | | (mm) Fig. | | A1 | A2 | B1 | H1 |
| 1122 | RTO-100 | RTO-100 | 380 | 100 | 11.18 | 180 | 160 | 55 | 73 | 570 |
| 1123 | RTO-200 | RTO-200 | 380 | 200 | 11.18 | 200 | 175 | 60 | 83 | 760 |
| 1124 | RTO-400 | RTO-400 | 380 | 400 | 11.18 | 220 | 190 | 70 | 95 | 1110 |

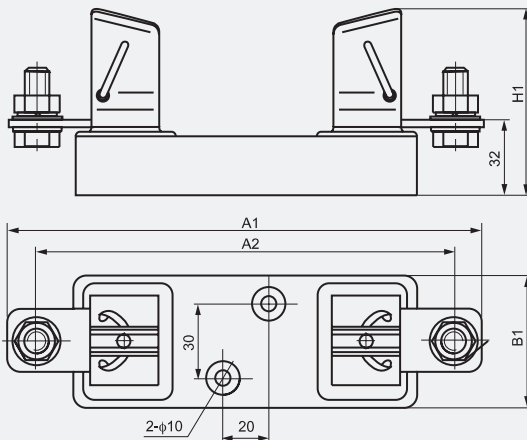


Figure 11.18



Table 11 (cont.)

| Cat. No. | Models | Fuse link Size | Rated insulation voltage(V) | Conventional free air thermal current(A) | Dimensions (mm) Fig. | Weight (g) |
|----------|---------|----------------|-----------------------------|--|-------------------------|------------|
| 1125 | RTO-600 | RTO-600 | 380 | 600 | See figure 11.19 | 1900 |

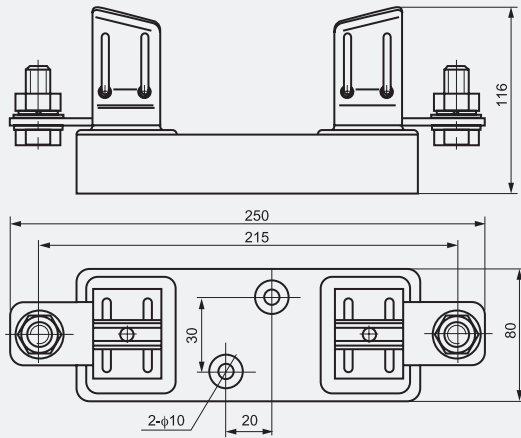


Figure 11.19



Low-Voltage Fuses
 Fuse Bases

